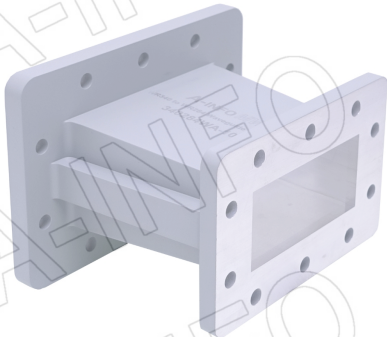


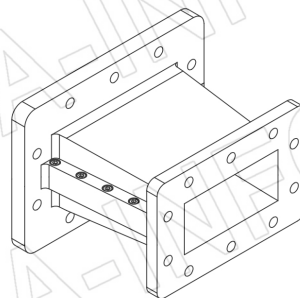
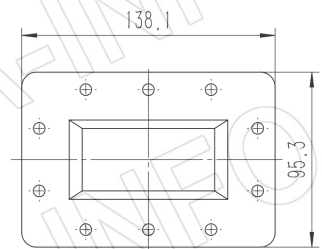
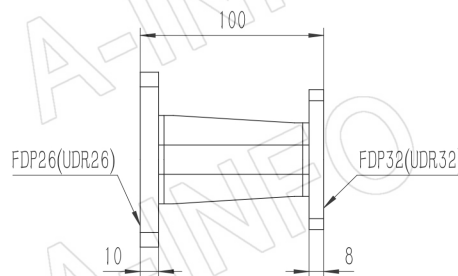
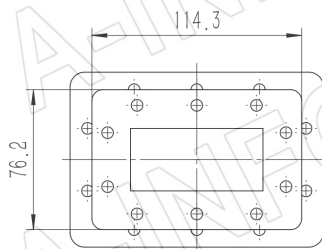
For reference only. See data sheet for the detailed specifications.

Technical Specification

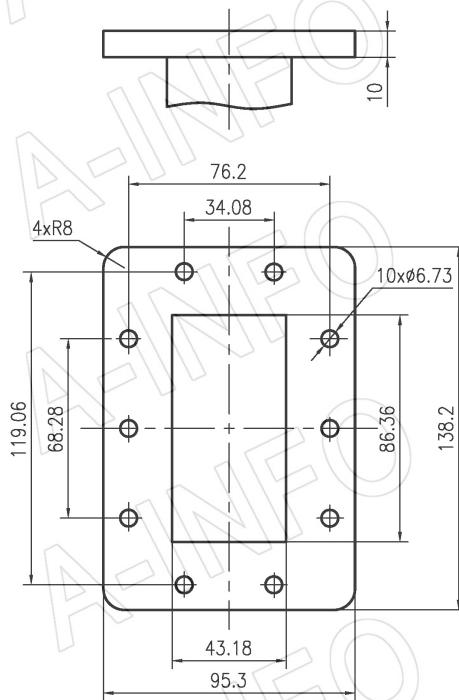
EIA WR to WR	WR340 to WR284
Frequency Range(GHz)	2.60 – 3.30
Length(mm/inch)	100/3.94
Insertion Loss(dB)	0.1 Max.
VSWR	1.05:1 Max.
WR340 Flange	FDP26(UDR26)
WR284 Flange	FDP32(UDR32)
Material	Al
Finish	Chemical Conversion Coating, Gray Paint
Size(mm)	100 x 138.1 x 95.3
Net Weight(Kg)	0.59 Around



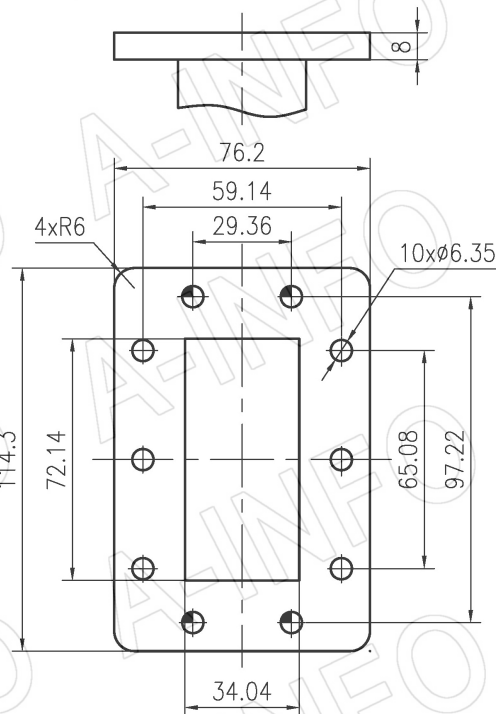
Outline Drawing (Size: mm)



Outline Drawing (Size: mm)



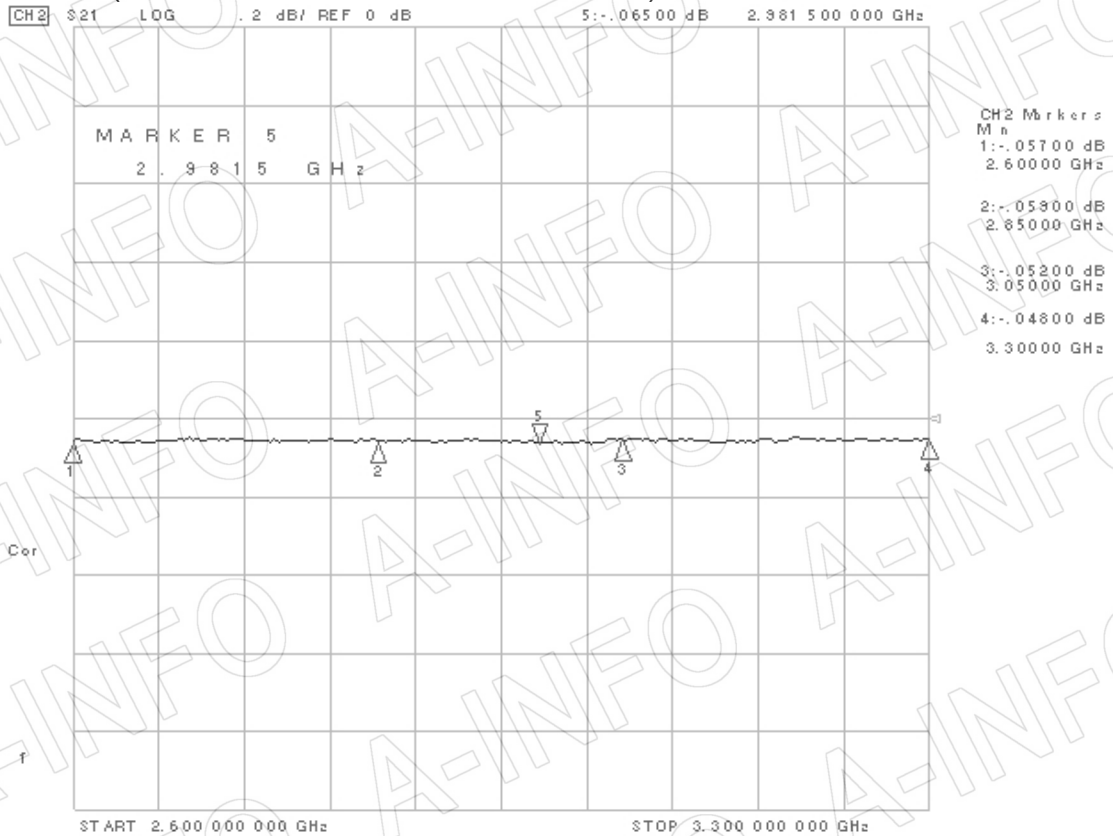
FDP26



FDP32

Test Results

Insertion Loss (Test with two transitions back to back)



VSWR

